

Easypack
Packmaster™



www.easypack.net

Simple and effective

Customers are provided with a high output converting machine on economical monthly rental, which is loaded with a roll of paper having two layers. As this passes through the machine it is shaped and formed into a continuous cushion which is cut off to the selected length.

Multilayered paper cushions are strong, flexible, easy to handle and provide excellent protection for all types of product. Cushions can be formed into shock absorbing buffers to block and brace goods and hold them firmly in place.

Cushions are clean, simple to use and are favoured by recipients as they are easy to unpack and are readily disposable.

There are massive savings on storage space as rolls of 2 ply paper are converted to 60 times their original volume right at the point of packing.



Eco friendly

- All EasyPack paper is produced from 100% recycled cardboard and paper containing no virgin fibre
- Can be re-used or recycled and is biodegradable
- Completely free of oil based products
- Total fill is not necessary - airspace is left within the box
- Packaging is produced on demand, reducing bulk transport cost
- Resilient paper packaging means that smaller boxes can be used which in turn leads to less fill
- High machine output speeds up the packing process, reducing labour and packing time

Packing solutions

Machines are supplied in horizontal or vertical configurations or built into space saving work benches. Our engineers can also design special mounting frames to integrate with existing conveyors or packing lines.



Single bench

Superior protection

Lightweight paper cushions are the perfect packaging material, providing complete product protection to avoid damage to goods in transit. They can be used for all round protection or formed into coils to support heavy items. Easypack paper is supplied in different grades to suit all types of product and is sold in natural brown or clean white colour.



Rapid paper change for easy loading



Convenient roll storage



Slide the roll onto the carrier

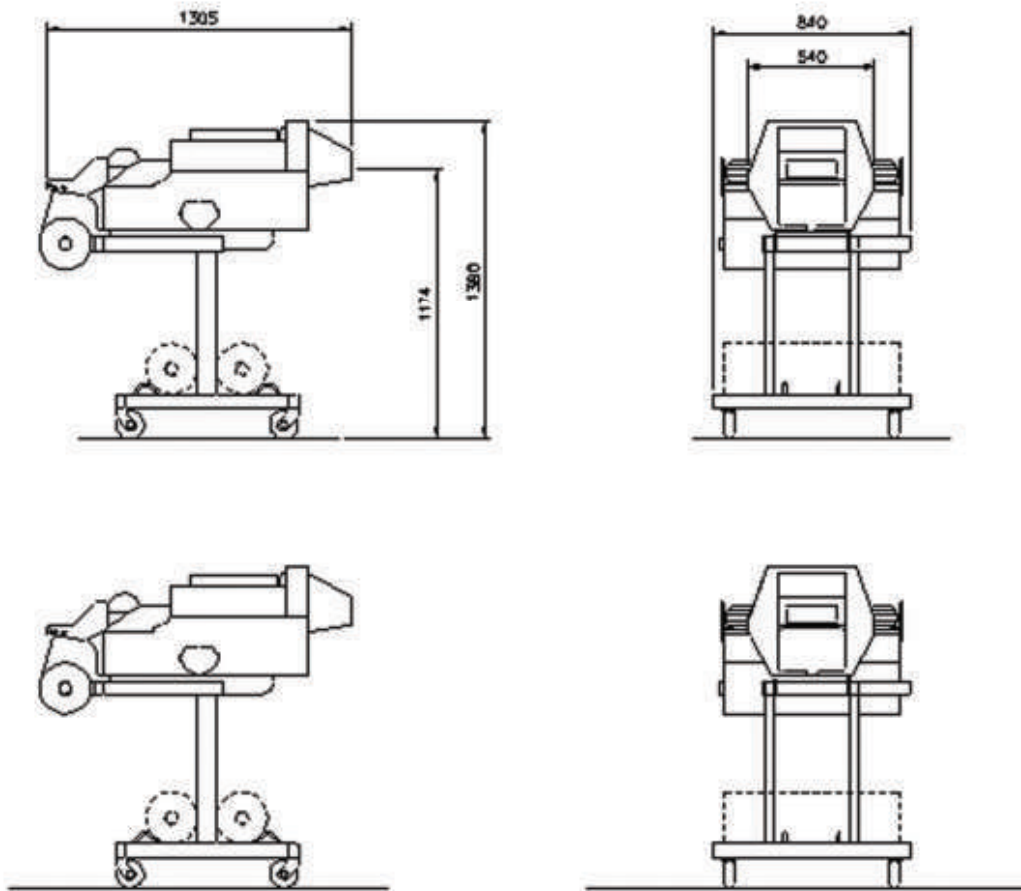


Feed into the drive wheels



Press the load button

TECHNICAL DATA



FOOT PEDAL SUPPLIED WITH EACH MACHINE
ALL MEASUREMENTS IN mm UNLESS OTHERWISE STATED

SPECIFICATION

Pallet quantity	20 rolls
Machine Weight (standard, with stand)	147 kg (approx.)
Roll Length (standard 2 ply roll)	225 m
Cushion Width	190 mm
Output Volume (standard 2 ply roll)	2.1 m ³
Average Output Speed	32 m per min
Ideal Usage	Continuous
Voltage	220V / 240V
Max Power Input	4A



Each standard roll produces up to 2.1 cubic metres of void fill

E&OE

UNIT 1 THE io CENTRE
ARLINGTON BUSINESS PARK
STEVENAGE HERTS SG12BD

T: +44 (0)845 838 0168
e: info@easypack.net

www.easypack.net