

EasyPack
Epsilon[®]



www.easypack.net

Compact Epsilon machine produces cushions exactly where needed

The *NEW* Epsilon system is suitable for both low and high volume users. It generates flexible paper cushions that are resilient and pliable and can be moulded to hold goods firmly in place in the outer box, providing springy and shock absorbing void fill. The strong bulky material can entirely eliminate damage in transit and is suitable for packing delicate items yet firm enough to give complete protection for heavier parts.

The flexible nature of the pack means that the amount of fill is not critical and anyone can successfully use it. Cushions generated from 300m length rolls of single ply paper make loading easy, extend the time interval between roll replacement and reduce cost.

The machine is supplied on economic monthly rental.



Instant cushion void fill



Coils support heavy items



Affords maximum protection

Superior protection

Light-weight cushions absorb impact and stay firmly in place, making them suitable for packaging items of all types.

Cushions can easily be shaped into buffers to block and brace goods, avoiding total fill and produce substantial cost savings.

Two cushions used to line the box provide protection on all sides when their ends are brought over for top fill.

Environmentally friendly void fill

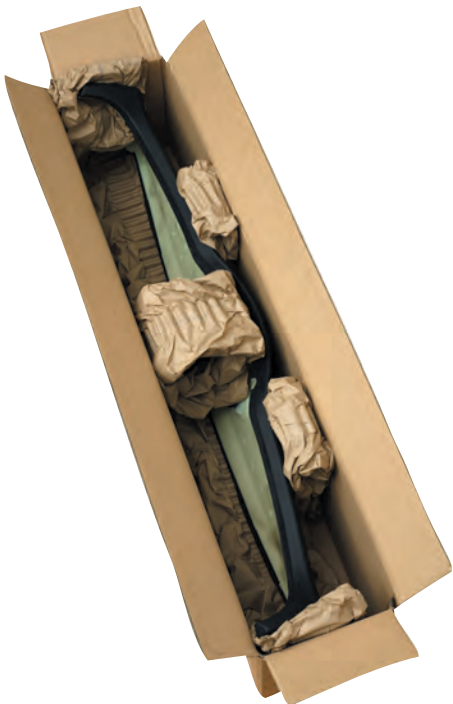
Clean, easy-to-use, 100% recycled paper cushions are readily disposable being fully recyclable and biodegradable.

On demand

The Epsilon system produces fill on demand, to any selected length, making it a highly convenient packaging media. Each roll converts up to 80 times its original volume, saving on storage space.



Epsilon produces bulky void fill straight into the box



Blocking and bracing eliminates the need for total fill

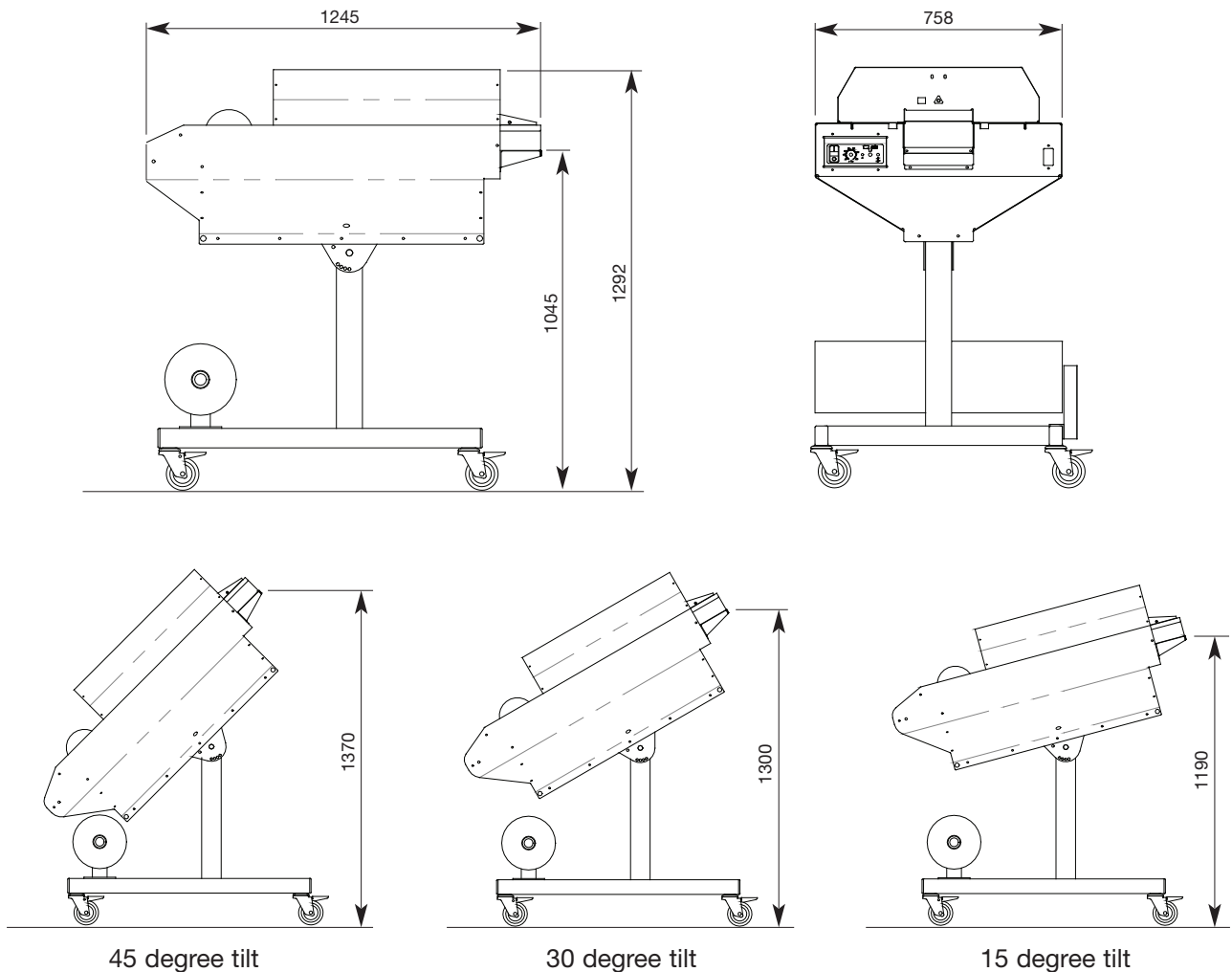
Simple to use

The Epsilon machine is fully mobile on castors and takes up minimum floor space. When the packer removes a cushion in semi-auto mode, the next pack is immediately generated and cut to the selected length ready for use. A foot switch can be used to produce cushions of varying length and is useful for making coils of resilient material for nesting components.



The machine tilts up to an angle of 45 degrees in its frame to alter the height at which cushions are dispensed.

TECHNICAL DATA



SUPPLIED WITH FOOT PEDAL

ALL MEASUREMENTS IN MM UNLESS OTHERWISE STATED

SPECIFICATION

Pallet quantity	20 rolls
Machine Weight (standard, with stand)	130 kg (approx.)
Roll Weight	15 kg
Roll Length	300 m
Cushion Width	170 mm
Output Volume (per roll)	2.4 m ³
Average Output Speed (up to)	8.7m ³ per hour
Ideal Usage	Semi automatic
Voltage	220V / 240V
Max Power Input	3A



Each roll produces up to 2.4 cubic metres of void fill

E&OE

UNIT 1 THE io CENTRE
ARLINGTON BUSINESS PARK
STEVENAGE HERTS SG12BD

T: +44 (0)845 838 0168
F: +44 (0)845 838 0160
e: info@easypack.net

www.easypack.net